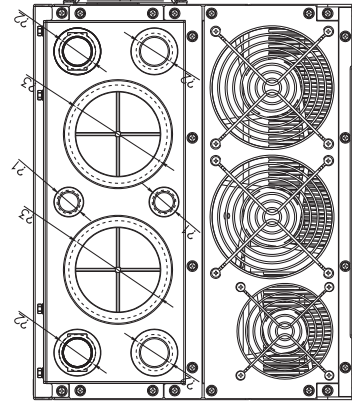
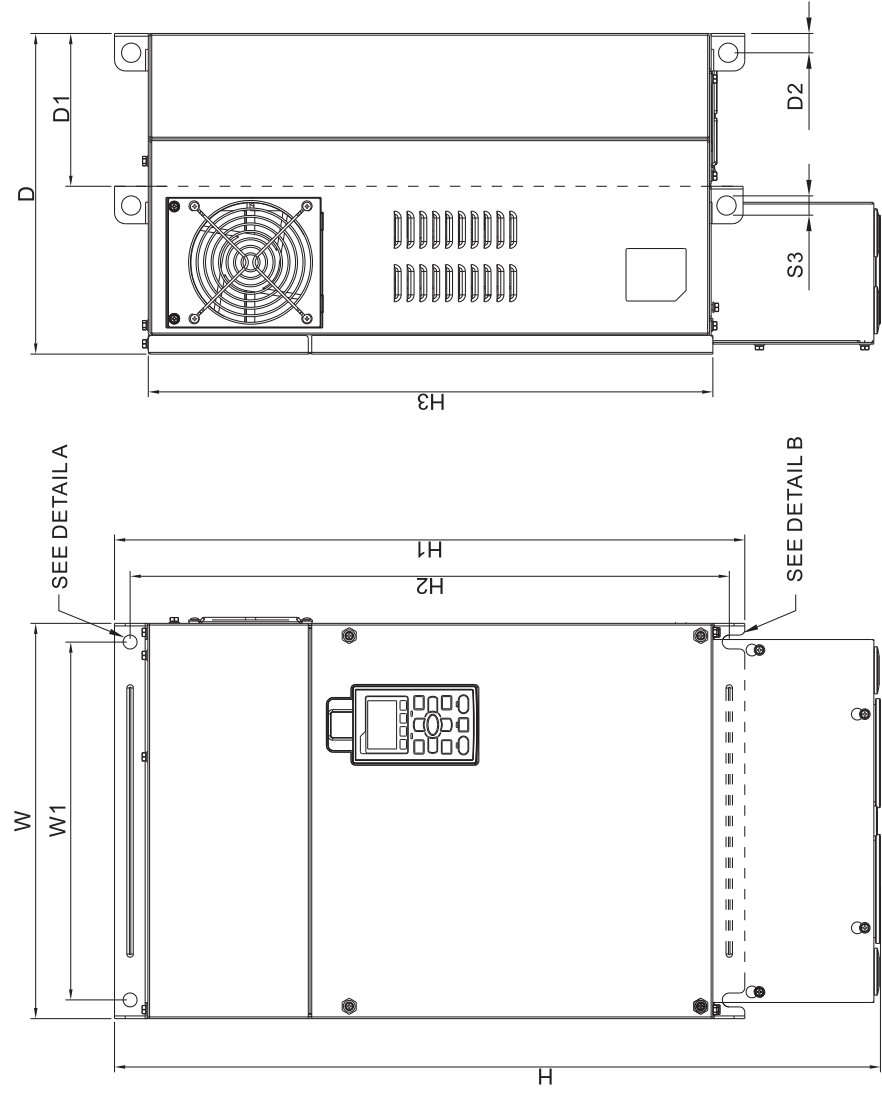
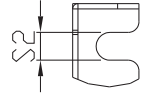


# Dimensions

## Frame E



Detail A (Mounting Hole)



Detail B (Mounting Hole)

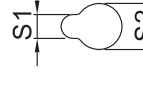
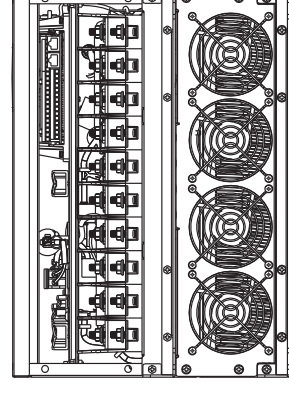
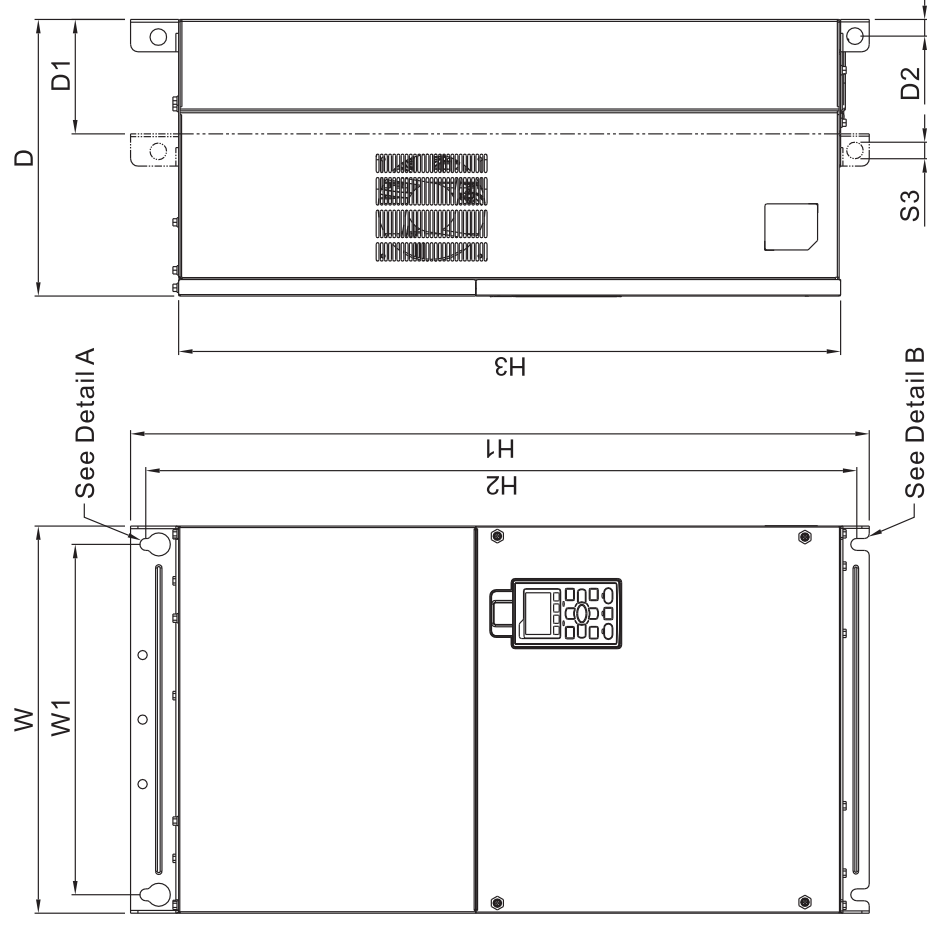
**MODEL**  
**FRAME\_E2**  
 VFD450C23E  
 VFD550C23E  
 VFD750C23E  
 VFD900C43E  
 VFD1100C43E

Frame	W	H	D	W1	H1	H2	H3	D1*	D2	S1	S2	S3	Ø1	Ø2	Ø3
E2	mm	370.0	715.8	300.0	335.0	589	560.0	528.0	143.0	18.0	13.0	18.0	22.0	34.0	92.0
	inch	14.57	28.18	11.81	13.19	23.19	22.05	20.80	5.63	0.71	0.51	0.71	0.87	1.34	3.62

Unit : mm[inch]

D1\* : Flange mounting

## Frame F



Detail A (Mounting Hole)



Detail B (Mounting Hole)

**MODEL**  
**FRAME\_F1**  
 VFD900C23A  
 VFD1320C23A  
 VFD1600C23A

Frame	W	H	D	W1	H1	H2	H3	D1*	D2	S1	S2	S3	Ø1	Ø2	Ø3
F1	mm	420.0	-	380.0	800.0	770.0	717.0	124.0	18.0	13.0	25.0	18.0	92.0	35.0	22.0
	inch	16.54	-	14.96	31.50	30.32	28.23	4.88	0.71	0.51	0.98	0.71	3.62	1.38	0.87

Unit : mm[inch]

D1\* : Flange mounting